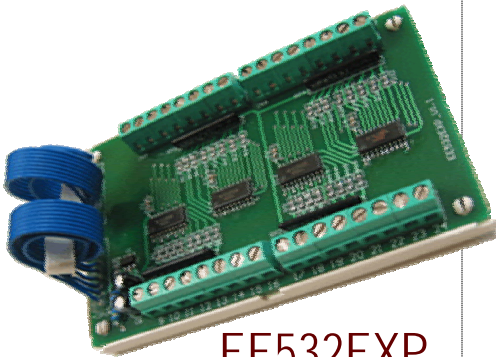


EE508VIF

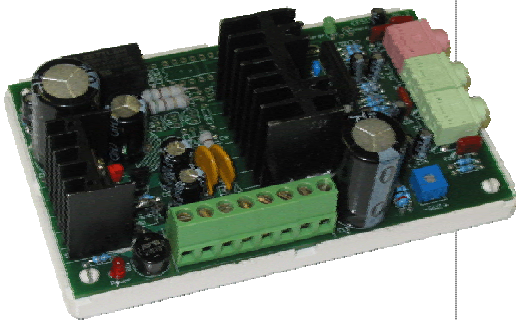


EE508VIF

Expandable with EE532EXP up to 80 zone input.



EE532EXP



EE515PWA

12 ~ 24 AC/DC Input and Built-in on-board 15/30W PA-Amp

The versatile eVOXCON is a selectable multi-channel (up to 80) custom recordable voice annunciation module. On-board microphone or Line IN-OUT allow 16 minutes (up to 32 minutes in group setting) of message stored in permanent memory. The module was designed for stand alone operations or interfaces well with most alarm control panels and access control systems.

APPLICATIONS:

eVOXCON has adjustable triggers and volume control which makes it perfect for all sorts of applications from systems, to poolside protection (not a life saving device) as well as emergency annunciation and voice notification. The 16 minute message can be divided automatically into each channel according to the length of each message. Each message could be modified independently. The wide LCD displayer gives out all the information of eVOXCON and make your operation easier. Each channel can be configured to play once or repeat endlessly. The on-board 2 watt amplifier can drive up to 8 ohm speakers (EE668SPK or EE518SPK) or interface with a PA system or other audio equipment as well. The eVOXCON expander (EE532EXP) provides 32 individual inputs / zones. The ePower with AMP (EE515PWA) provides 12V/24VDC power source up to 1.5A and with on-board 15/30W PA AMP.

FEATURES & BENEFITS:

Universal Use:

Can be used as standalone or can be interfaced with most alarm and access control panels simultaneously.

Expandable Message Output:

With EE532EXP, up to 40 channel X 2 inputs could be expanded and operated independently.

Message Storage:

Up to 80 recorded messages could be stored in the 16 min recording permanent memory chip with auto sequence.

Controlled Playback:

Channels can be configured to play once or repeat endlessly selectable input method: + or - trigger.

Easy Installation:

Compact in size. No need for big space. Mounting brackets included.

Easy Record and Playback:

Easy and intuitive to record and play back. Push a channel button to record or playback message on the selected channel.

Easy Operation:

The large size LCD displayer provide visible eVoxcon status and operation information.

On-board Microphone or Line-input:

Allows natural voice recording in language of choice.

Flexible Recording Quality:

4 recording sampling rates are available for different applications.

Automatic Sequencing:

As zones are triggered the module will playback in the same order as triggered

Multiple Applications:

Suitable for applications from zone notification, pool alarm*, access door monitoring, emergency annunciation, voice sire driver, security exit door alarm, or talking sales demonstrations etc.

On-board / Line output or selectable Amplifier output:

A 2-watt amplifier can drive up to eight 8-ohm speakers or interface with expander audio PA equipment.

* This is NOT a life saving device

EE508VIF

Sample Messages:

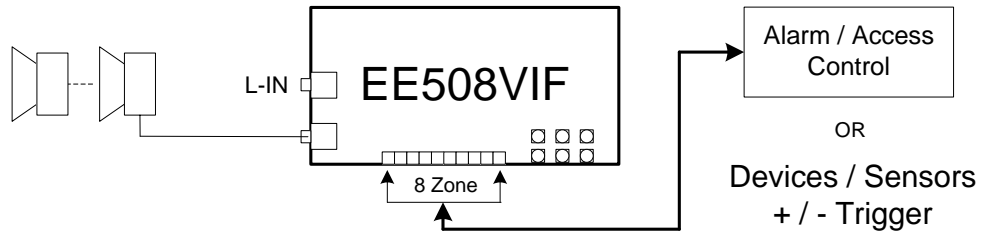
- Alert, the pool door is open Check for children*.
- Customers at main entrance, open the door please.
- The fire alarm is activated, please exit this building immediately.
- The alarm system will be turn on in 90 seconds!
- The east parking photo beam has been activated, check that area!
- Please turn off lighting.
- Please do not forget to lock the main entry door.
- You have entered an unauthorized area. Leave now. The police have been dispatched.
- All activities are recorded on digital video system to aid in the prosecution of any crime committed against this facility.

Specification:

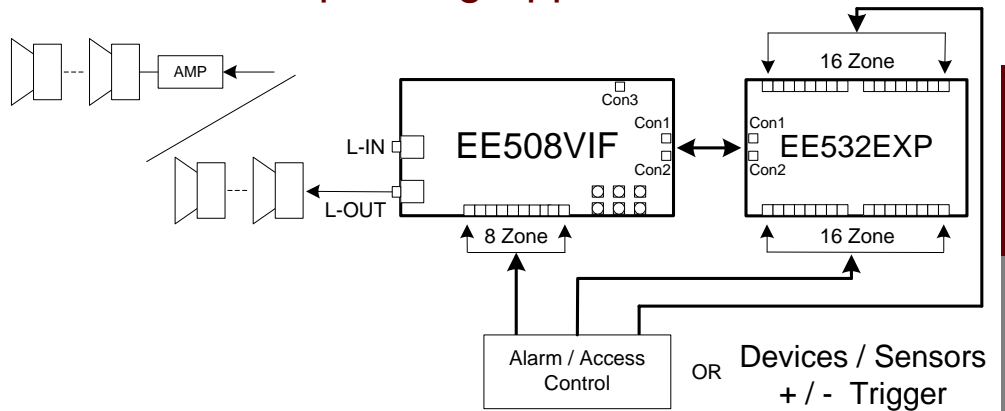
Operation Voltage:	12 – 16VDC
Current:	25 mA DC standby 150 mA+ operation
Trigger Voltage:	5V – 12V +/-
Line in impedance:	600 OHM / 0.5V+
Line out impedance:	100 OHM / 1.0V
Mic In:	1K / 100mV
Amp Out:	2W / 4 – 40 OHM (EE508VIF)
Recording/Playback time:	8 – 16 min total Momentary/Latch selectable
Dimension:	2" X 3" X 0.75"

* This is NOT a life saving device

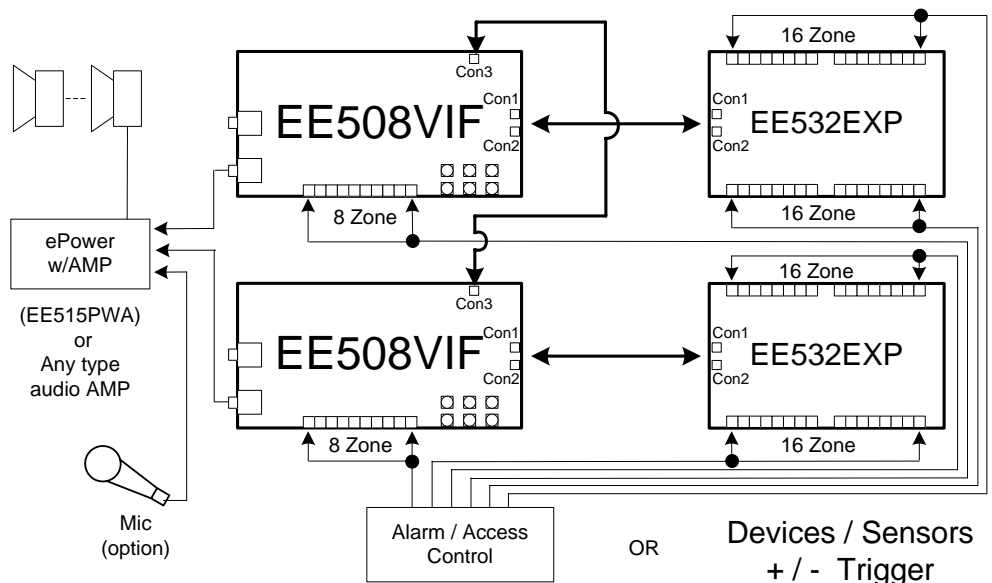
Individual Application



Expanding Application



Multiple Application



Control Module